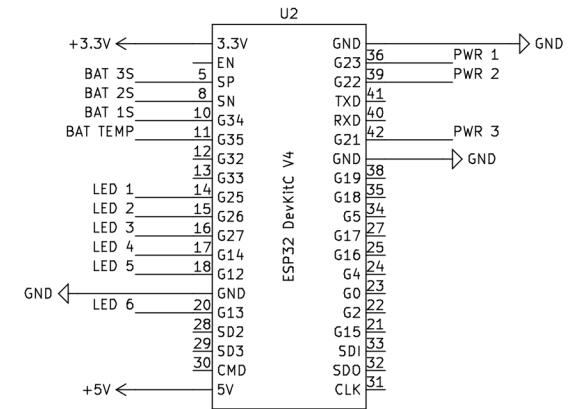
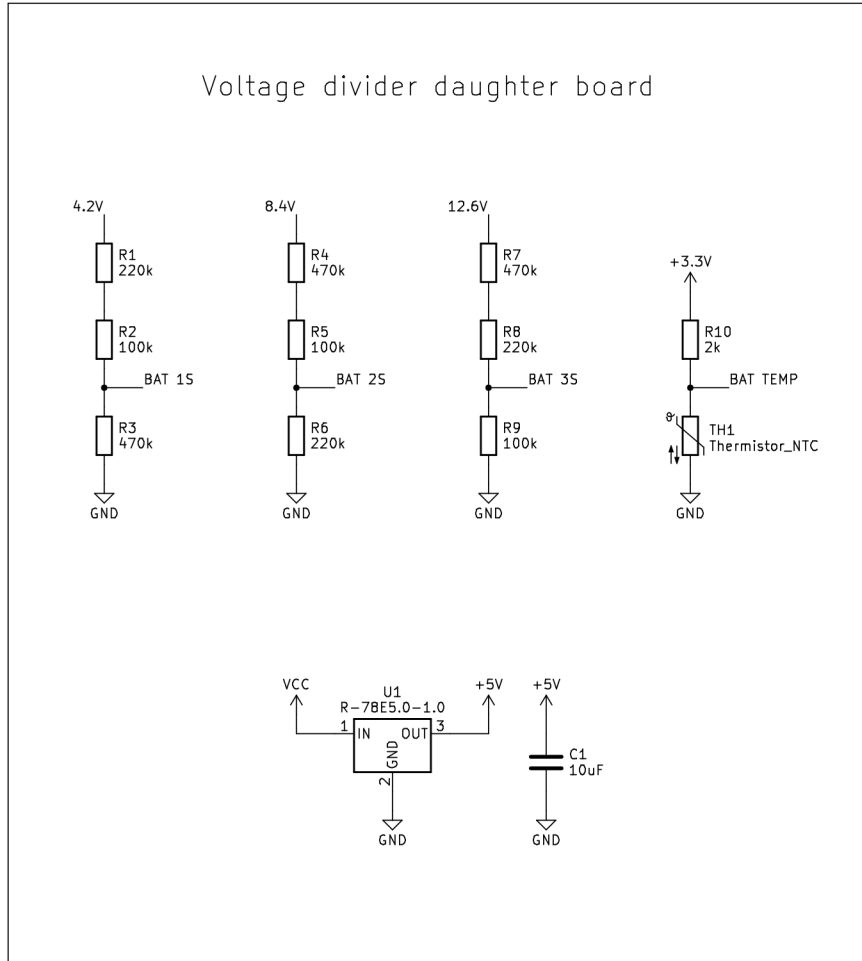


Voltage divider daughter board



By Sebastian Humbel

Sheet: /
File: ESP32.kicad_sch

Title: voltage divider

Size: A4	Date: 2023-07-24	Rev: 1
KiCad E.D.A. eeschema 7.0.5-1.fc38		Id: 1/1